

Title: AUTOMOTIVE VEHICLE POLYMERIC
 RUNNING BOARD
 Inventor: Heil, et al
 Filed: herewith
 Docket No: 64,842-004
 Sheet: 1 of 3
 Attorney: Ernest E. Helms
 Phone: 248.203-0756

Express Mail Label No. ET 931279457 US

10000210
 1/2
 7 FCS

FIG. 1

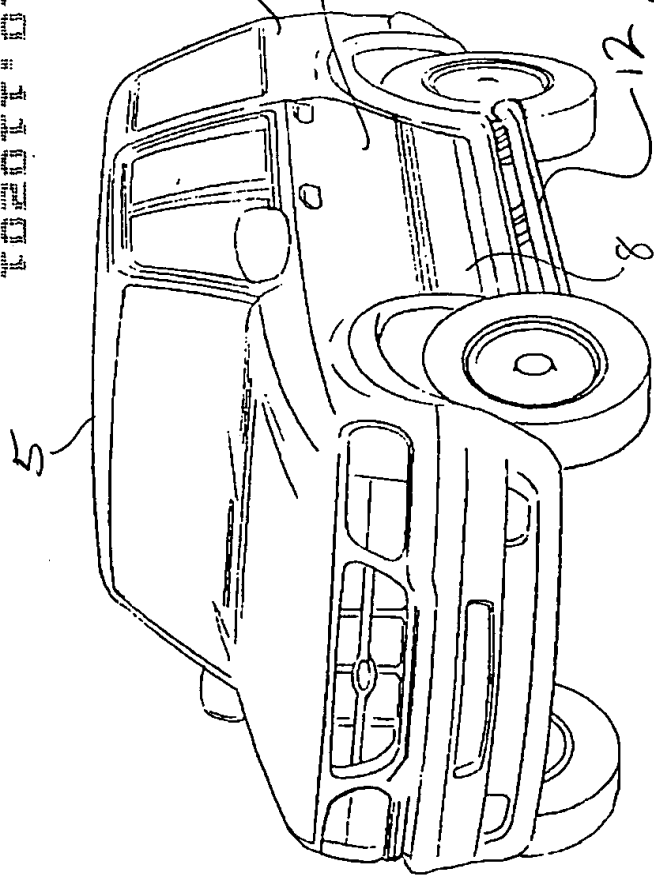
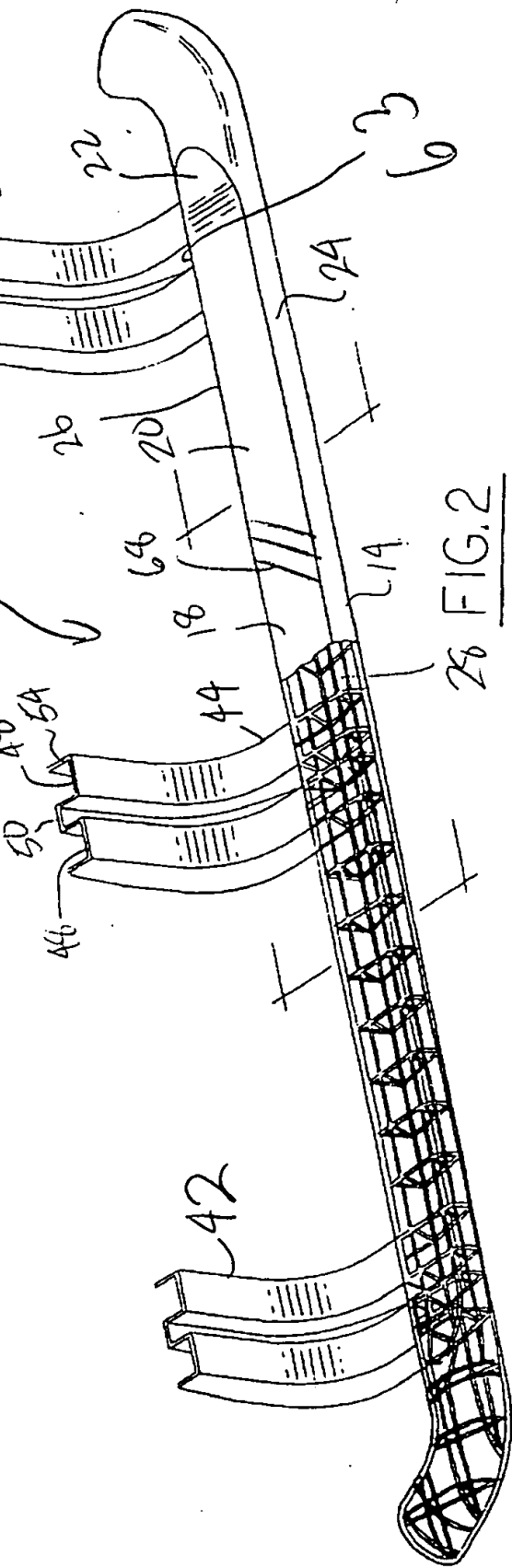


FIG. 2



Title: AUTOMOTIVE VEHICLE POLYMERIC
 RUNNING BOARD
 Inventor: Heil, et al
 Filed: herewith
 Docket No: 64,842-004
 Sheet: 2 of 3
 Attorney: Ernest E. Helms
 Phone: 248.203-0756

Express Mail Label No. ET 931279457 US

LETTER BOARD

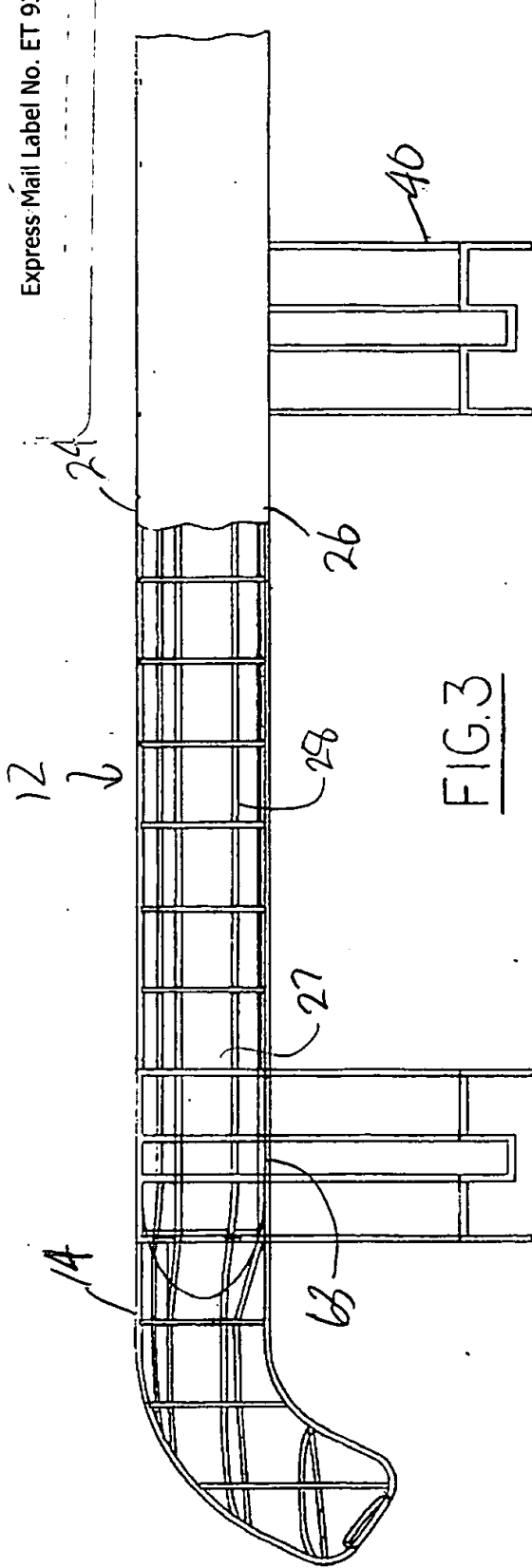


FIG. 3

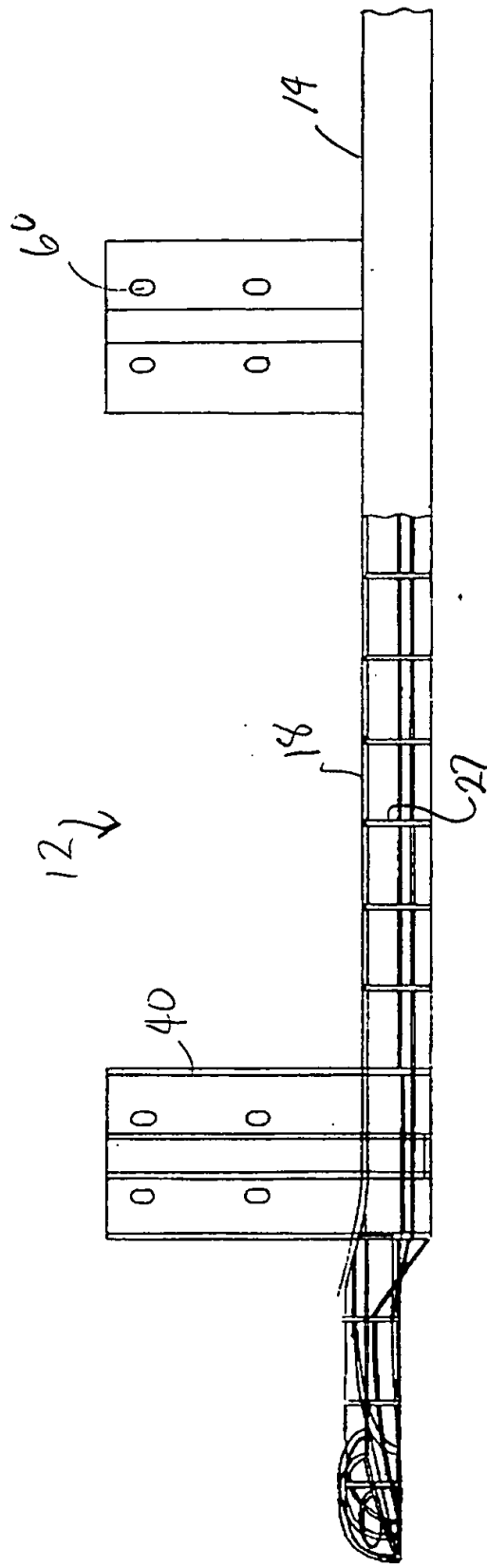


FIG. 4

Title: AUTOMOTIVE VEHICLE POLYMERIC
RUNNING BOARD
Inventor: Heil, et al Filed: herewith
Docket No: 64,842-004 Sheet: 3 of 3
Attorney: Ernest E. Helms
Phone: 248.203-0756

Express Mail Label No. ET 931279457 US

FIG. 5

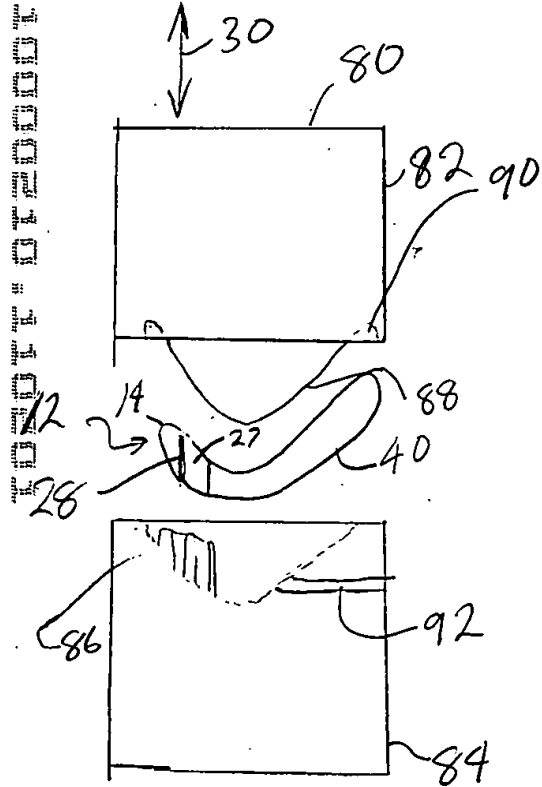
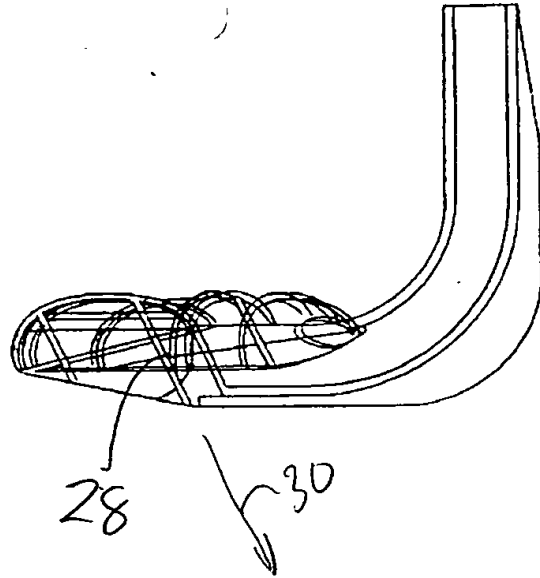


FIG. 7

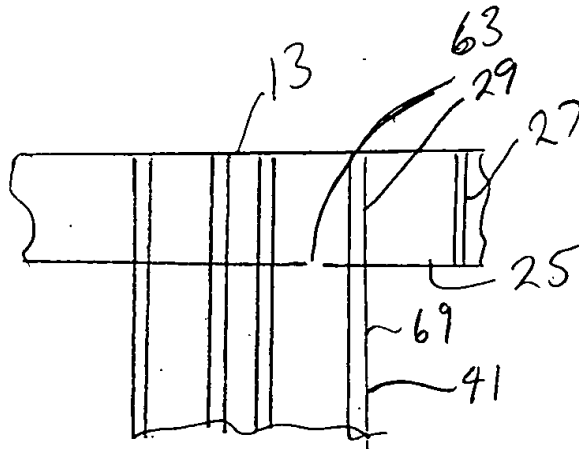


FIG. 6